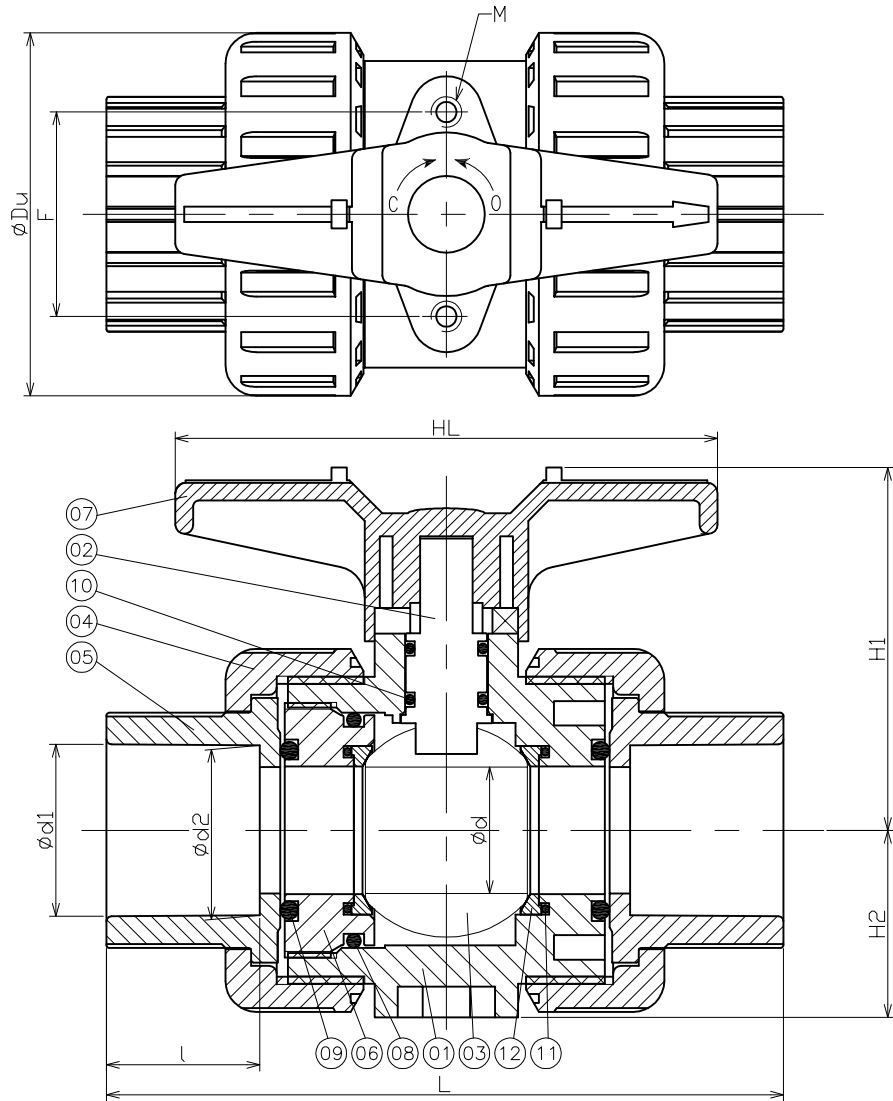


MEFCO VALVE SERIES



NO	PART NAME	Q'ty	MATERIAL
1	BODY	1	PVC.CPVC
2	STEM	1	PVC.CPVC
3	BALL	1	PVC.CPVC
4	UNION NUT	2	PVC.CPVC
5	UNION END	2	PVC.CPVC
6	SPACER	1	PVC.CPVC
7	HANDLE	1	ABS
8	SPACER SEAL	1	EPDM.FKM
9	END SEAL	2	EPDM.FKM
10	STEM O-RING	2	EPDM.FKM
11	SEAT SEAL	2	EPDM.FKM
12	SEAT	2	PTFE

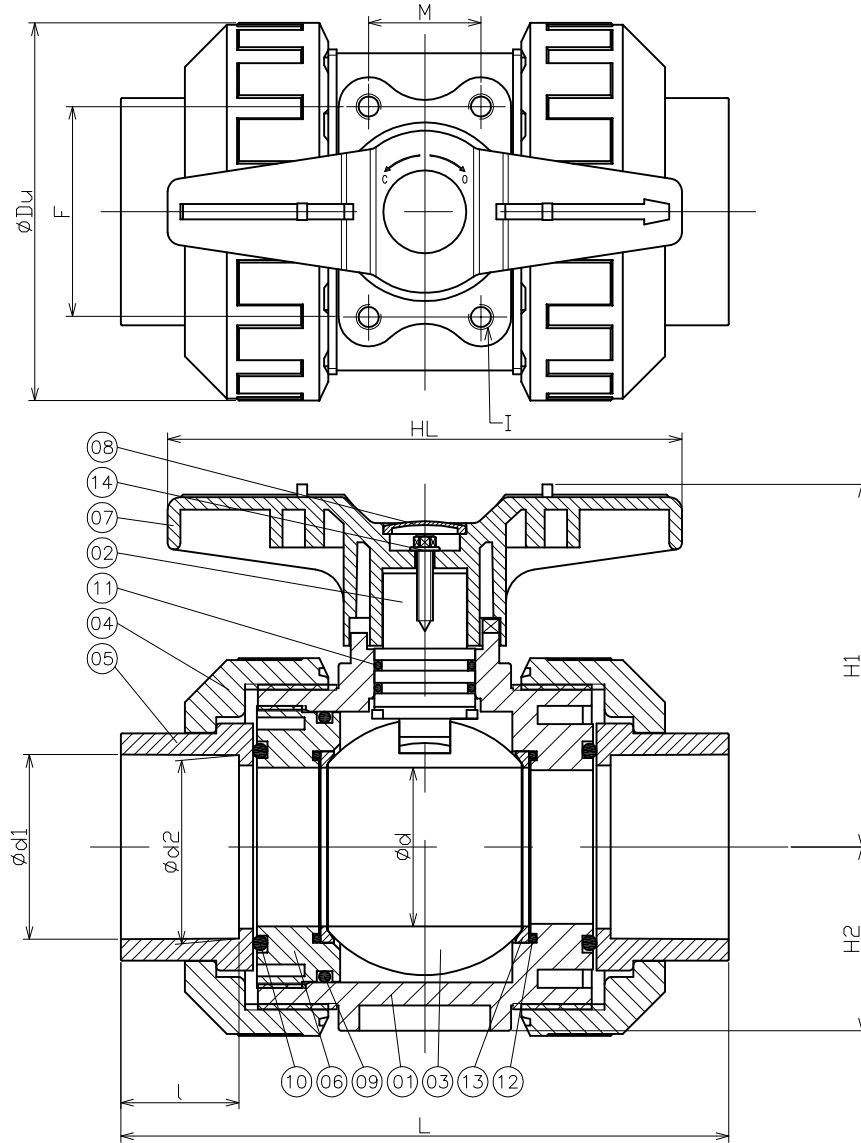
Dimension Table

Designated Size	Nominal Diameter A(B)	Nominal Pressure MPa (at20°)	Distance L	Inside Diameter ϕd	Outside Diameter ϕDu	Socket						L	H1	H2	HL	F	M
						ASTM		DIN		JIS							
						$\phi d1$	$\phi d2$	$\phi d1$	$\phi d2$	$\phi d1$	$\phi d2$						
□	15(1/2)	1.0	104	15	53	21.54	21.23	20.3	20.1	22.40	21.52	22.5	53	25	84	31	M6
□	20(3/4)	1.0	117	20	61	26.87	26.57	25.3	25.1	26.45	25.42	26	61	29	90	33	M6
□	25(1)	1.0	132	25	71	33.67	33.27	32.3	32.1	32.55	31.37	30	71	36.5	106	40	M6
□	32(1-1/4)	1.0	147	32	83	42.42	42.04	40.3	40.1	38.60	37.31	32	82.5	41	116	52	M8
□	40(1-1/2)	1.0	167	40	96	48.56	48.11	50.3	50.1	48.70	47.21	36	91	48	128	52	M8
□	50(2)	1.0	179	50	116	60.63	60.17	63.3	63.1	60.80	59.10	40	110	54.5	140	70	M8

Please mark your requirement in the squares provided below.

Customer's Name		DATE	
Specification	Body Material	<input type="checkbox"/> PVC	Approved By:
		<input type="checkbox"/> CPVC	
	Socket	<input type="checkbox"/> ASTM <input type="checkbox"/> JIS	
Specification	Cleaning Disposal	<input type="checkbox"/> Necessary	Drawing No.
	O-ring	<input type="checkbox"/> EPDM <input type="checkbox"/> FKM	
Item	True Union Ball Valve-Support		DATE
	15A~50A		
SEKISUI INDUSTRIAL PIPING CO.,LTD.			BD(15A-50A) -SOCKET

MEFCO VALVE SERIES



Dimension Table

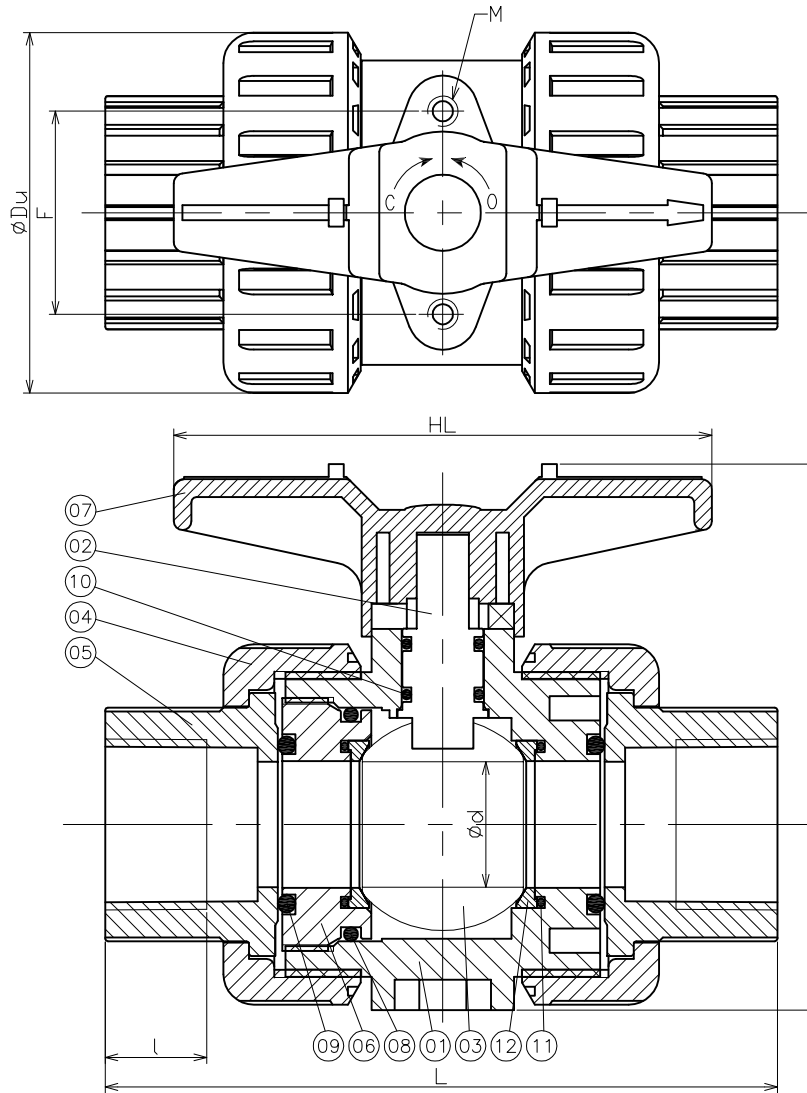
Designated Size	Nominal Diameter A(B)	Nominal Pressure MPa (at20°)	Distance L	Inside Diameter ϕd	Outside Diameter ϕD_u	Socket						L	H1	H2	HL	F	M	I
						ASTM		DIN		JIS								
						ϕd_1	ϕd_2	ϕd_1	ϕd_2	ϕd_1	ϕd_2							
□	65(2-1/2)	1.0	241	63	150	73.38	72.85	75.30	75.10	76.60	75.33	45	144	73	204	83.6	44.6	M10
□	80(3)	1.0	271	75	166	89.31	88.70	90.30	90.10	89.60	88.29	48	151	84.5	204	83.6	44.6	M10
□	100(4)	1.0	323	97	210	114.76	114.07	110.40	110.10	114.70	113.20	58	180	104	249	121	49	M12

NO	PART NAME	Q'ty	MATERIAL
1	BODY	1	PVC.CPVC
2	STEM	1	PVC.CPVC
3	BALL	1	PVC.CPVC
4	UNION NUT	2	PVC.CPVC
5	UNION END	2	PVC.CPVC
6	SPACER	1	PVC.CPVC
7	HANDLE	1	ABS
8	HANDLE CAP	1	ABS
9	SPACER SEAL	1	EPDM.FKM
10	END SEAL	2	EPDM.FKM
11	STEM O-RING	2	EPDM.FKM
12	SEAT SEAL	2	EPDM.FKM
13	SEAT	2	PTFE
14	BOLT	1	A276 304

Please mark your requirement in the squares provided below.

Customer's Name		DATE	
Specification	Body Material	<input type="checkbox"/> PVC	Approved By:
		<input type="checkbox"/> CPVC	
	Socket	<input type="checkbox"/> ASTM <input type="checkbox"/> JIS	
Item	Cleaning Disposa	<input type="checkbox"/> Necessary	Drawing No.
	O-ring	<input type="checkbox"/> EPDM <input type="checkbox"/> FKM	
Other Special Items			
Item	True Union Ball Valve-Support 65A~100A	BD(65A-100A) -SOCKET	
SEKISUI INDUSTRIAL PIPING CO.,LTD.			

MEFCO VALVE SERIES



NO	PART NAME	Q'ty	MATERIAL
1	BODY	1	PVC.CPVC
2	STEM	1	PVC.CPVC
3	BALL	1	PVC.CPVC
4	UNION NUT	2	PVC.CPVC
5	UNION END	2	PVC.CPVC
6	SPACER	1	PVC.CPVC
7	HANDLE	1	ABS
8	SPACER SEAL	1	EPDM.FKM
9	END SEAL	2	EPDM.FKM
10	STEM O-RING	2	EPDM.FKM
11	SEAT SEAL	2	EPDM.FKM
12	SEAT	2	PTFE

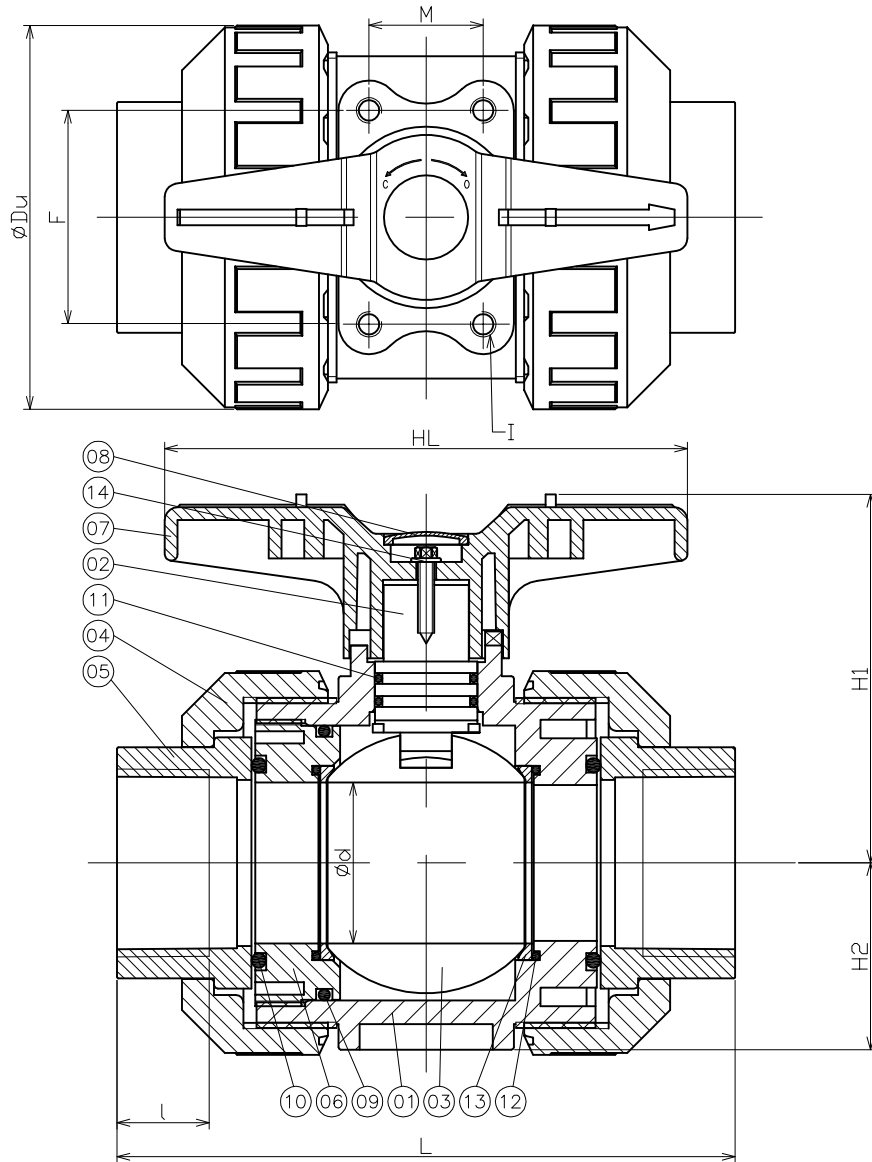
Dimension Table

Designated Size	Nominal Diameter A(B)	Nominal Pressure MPa (at20°)	Distance L	Inside Diameter ϕd	Outside Diameter ϕD_u	Female Thread						H1	H2	HL	F	M
						NPT		Rp		Rc						
						thd./in	L<min>	thd./in	L<min>	thd./in	L<min>					
□	15(1/2)	1.0	104	15	53	14	16.5	14	15	14	13	53	25	84	31	M6
□	20(3/4)	1.0	117	20	61	14	17	14	16.5	14	15	61	29	90	33	M6
□	25(1)	1.0	132	25	71	11.5	21	11	19	11	17	71	36.5	106	40	M6
□	32(1-1/4)	1.0	147	32	83	11.5	22	11	22	11	19	82.5	41	116	52	M8
□	40(1-1/2)	1.0	167	40	96	11.5	22	11	22	11	19	91	48	128	52	M8
□	50(2)	1.0	179	50	116	11.5	23	11	26	11	23	110	54.5	140	70	M8

Please mark your requirement in the squares provided below.

Customer's Name		DATE	
Specification	Body Material	<input type="checkbox"/> PVC	Approved By:
		<input type="checkbox"/> CPVC	
	Socket	<input type="checkbox"/> NPT <input type="checkbox"/> Rc	
		<input type="checkbox"/> Rp	
Item	Cleaning Disposal	<input type="checkbox"/> Necessary	Drawing No.
	O-ring	<input type="checkbox"/> EPDM <input type="checkbox"/> FKM	
	Other Special Items		
True Union Ball Valve—Support		BD(15A-50A)	
15A~50A		-THREAD	
SEKISUI INDUSTRIAL PIPING CO.,LTD.			

MEFCO VALVE SERIES



Dimension Table

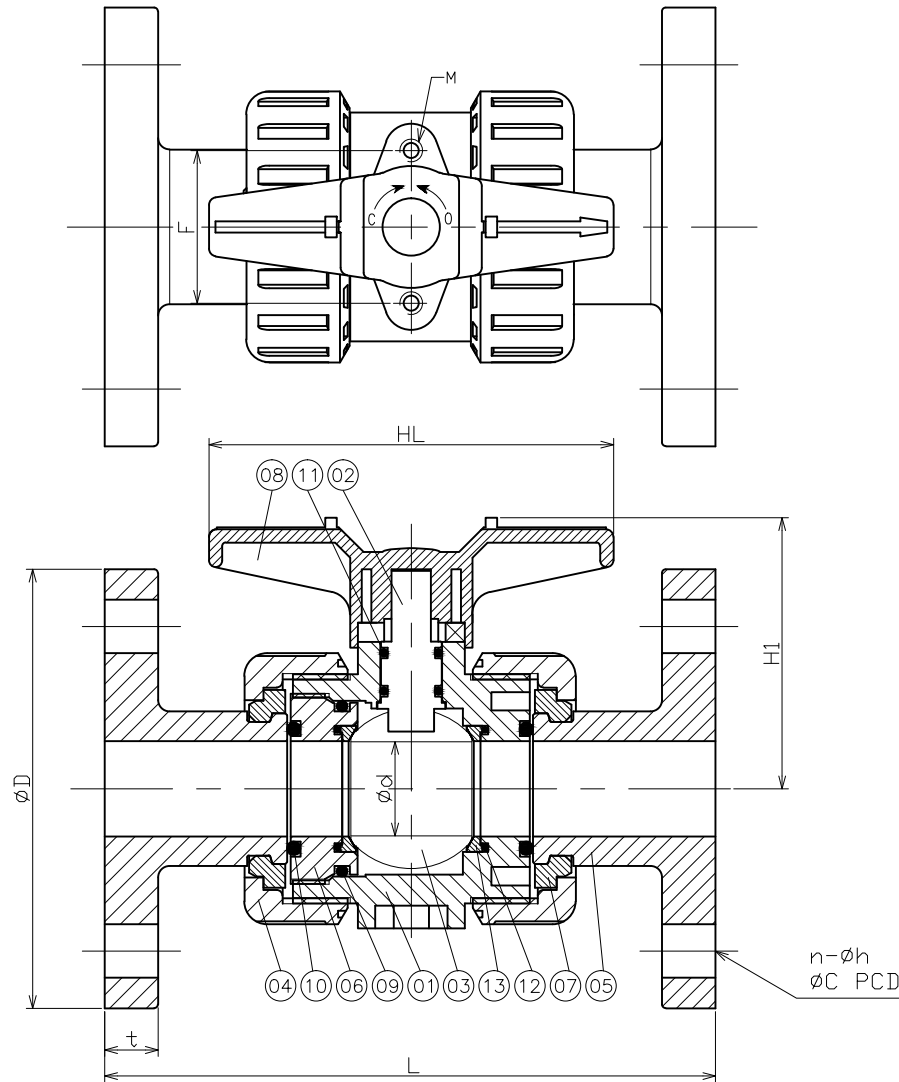
Designated Size	Nominal Diameter A(B)	Nominal Pressure MPa (at 20°)	Distance L	Inside Diameter ϕd	Outside Diameter ϕDu	Female Thread						H1	H2	HL	F	M	I
						NPT		Rp		Rc							
						thd./in	l<min>	thd./in	l<min>	thd./in	l<min>						
□	65(2-1/2)	1.0	241	63	150	8	31	11	31	11	27	144	73	204	83.6	44.6	M10
□	80(3)	1.0	271	75	166	8	33	11	34	11	30	151	84.5	204	83.6	44.6	M10
□	100(4)	1.0	323	97	210	8	35	11	40	11	36	180	104	249	121	49	M12

NO	PART NAME	Q'ty	MATERIAL
1	BODY	1	PVC.CPVC
2	STEM	1	PVC.CPVC
3	BALL	1	PVC.CPVC
4	UNION NUT	2	PVC.CPVC
5	UNION END	2	PVC.CPVC
6	SPACER	1	PVC.CPVC
7	HANDLE	1	ABS
8	HANDLE CAP	1	ABS
9	SPACER SEAL	1	EPDM.FKM
10	END SEAL	2	EPDM.FKM
11	STEM O-RING	2	EPDM.FKM
12	SEAT SEAL	2	EPDM.FKM
13	SEAT	2	PTFE
14	BOLT	1	SUS304

Please mark your requirement in the squares provided below.

Customer's Name		DATE	
Specification	Body Material	<input type="checkbox"/> PVC	<input type="checkbox"/> CPVC
	Socket	<input type="checkbox"/> NPT	<input type="checkbox"/> Rc
	Cleaning Disposal	<input type="checkbox"/> Necessary	
	O-ring	<input type="checkbox"/> EPDM	<input type="checkbox"/> FKM
Other Special Items		Approved By:	
Item	True Union Ball Valve-Support 65A~100A		
SEKISUI INDUSTRIAL PIPING CO.,LTD.			

MEFCO VALVE SERIES



Dimension Table

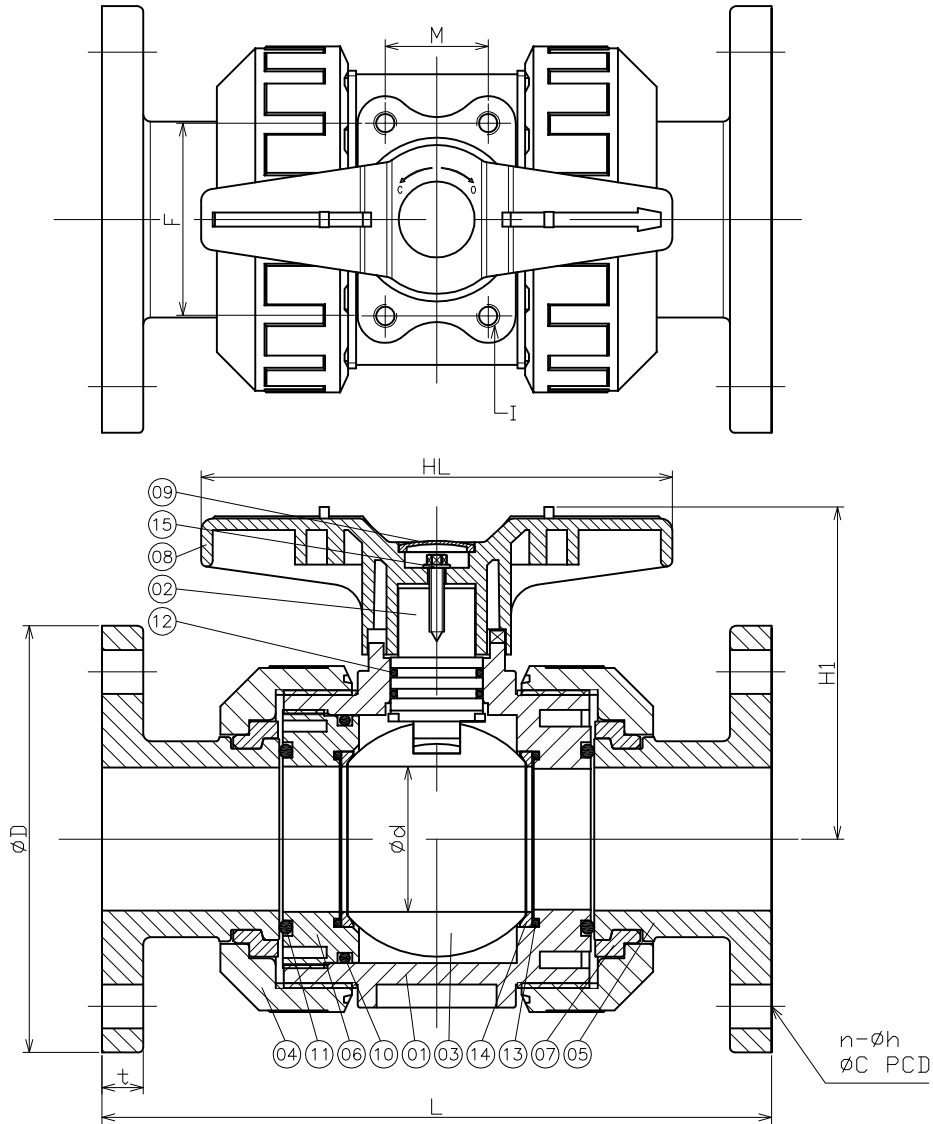
Designated Size	Nominal Diameter A(B)	Nominal Pressure MPa (at20°)	Inside Diameter Ød	FLANGE												H1	HL	F	M
				150PSI					PN10										
				L	ØD	ØC	n-Øh	t	L	ØD	ØC	n-Øh	t						
□	15(1/2)	1.0	15	143	90	60.3	4-16	11.5	130	95	65	4-14	11	53	84	31	M6		
□	20(3/4)	1.0	20	172	100	69.9	4-16	13	150	105	75	4-14	12	61	90	33	M6		
□	25(1)	1.0	25	187	110	79.4	4-16	14.5	160	115	85	4-14	14	71	106	40	M6		
□	32(1-1/4)	1.0	32	190	115	88.9	4-16	16	180	140	100	4-18	15	82.5	116	52	M8		
□	40(1-1/2)	1.0	40	212	125	98.4	4-16	17.5	200	150	110	4-18	16	91	128	52	M8		
□	50(2)	1.0	50	234	150	120.7	4-19	19.5	230	165	125	4-18	18	110	140	70	M8		

NO	PART NAME	Q'ty	MATERIAL
1	BODY	1	PVC.CPVC
2	STEM	1	PVC.CPVC
3	BALL	1	PVC.CPVC
4	UNION NUT	2	PVC.CPVC
5	FLANGE	2	PVC.CPVC
6	SPACER	1	PVC.CPVC
7	SET RING	2	PVC.CPVC
8	HANDLE	1	ABS
9	SPACER SEAL	1	EPDM.FKM
10	END SEAL	2	EPDM.FKM
11	STEM O-RING	2	EPDM.FKM
12	SEAT SEAL	2	EPDM.FKM
13	SEAT	2	PTFE

Please mark your requirement in the squares provided below.

Customer's Name		DATE	
Specification	Body Material	<input type="checkbox"/> PVC	Approved By:
	FLANGE	<input type="checkbox"/> CPVC	
		<input type="checkbox"/> 150PSI	
		<input type="checkbox"/> PN10	
Item	Cleaning Disposal	<input type="checkbox"/> Necessary	Drawing No.
	O-ring	<input type="checkbox"/> EPDM <input type="checkbox"/> FKM	
Other Special Items			
True Union Ball Valve-Support		BD(15A-50A)	
15A~50A		-FLANGE	
SEKISUI INDUSTRIAL PIPING CO.,LTD.			

MEFCO VALVE SERIES



Dimension Table

Designated Size	Nominal Diameter A(B)	Nominal Pressure MPa (at20°)	Inside Diameter ϕd	FLANGE										H1	HL	F	M	I
				150 PSI					PN10									
				L	ϕD	ϕC	n- ϕh	t	L	ϕD	ϕC	n- ϕh	t					
□	65(2-1/2)	1.0	63	290	180	139.7	4-19	22.5	290	185	145	4-18	18	144	204	83.6	44.6	M10
□	80(3)	1.0	75	304	190	152.4	4-19	24	310	200	160	8-18	20	151	204	83.6	44.6	M10
□	100(4)	1.0	97	372	230	190.5	8-19	24	350	220	180	8-18	20	180	249	121	49	M12

NO	PART NAME	Q'ty	MATERIAL
1	BODY	1	PVC.CPVC
2	STEM	1	PVC.CPVC
3	BALL	1	PVC.CPVC
4	UNION NUT	2	PVC.CPVC
5	FLANGE	2	PVC.CPVC
6	SPACER	1	PVC.CPVC
7	SET RING	2	PVC.CPVC
8	HANDLE	1	ABS
9	HANDLE CAP	1	ABS
10	SPACER SEAL	1	EPDM.FKM
11	END SEAL	2	EPDM.FKM
12	STEM O-RING	2	EPDM.FKM
13	SEAT SEAL	2	EPDM.FKM
14	SEAT	2	PTFE
15	BOLT	1	SUS304

Please mark your requirement in the squares provided below.

Customer's Name		DATE	
Specification	Body Material	<input type="checkbox"/> PVC	Approved By:
		<input type="checkbox"/> CPVC	
	Socket	<input type="checkbox"/> 150 PSI <input type="checkbox"/> PN10	
Other Special Items	Cleaning Disposa	<input type="checkbox"/> Necessary	Drawing No.
	O-ring	<input type="checkbox"/> EPDM <input type="checkbox"/> FKM	
Item	True Union Ball Valve-Support 65A~100A		BD(65A-100A) -FLANGE

SEKISUI INDUSTRIAL PIPING CO.,LTD.